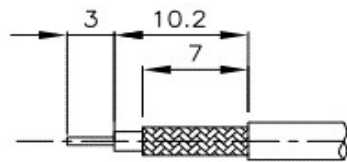
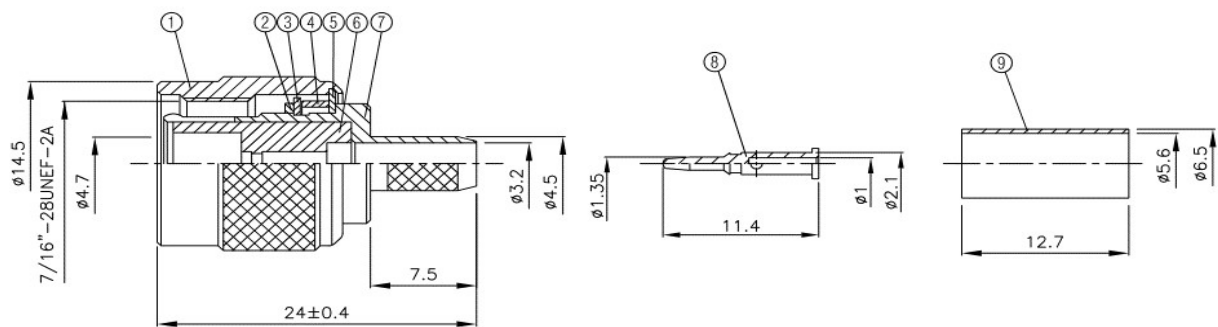


T-509

TNC Stecker crimp RG58, RF195, HF50



(Recommended Stripping Dimension)



| NO | DESCRIPTION | MATERIAL | Q'TY | FINISH |
|----|-------------|-----------|------|--------|
| 1 | BODY 1 | BRASS | 1 | NICKEL |
| 2 | RUBBER | SI RUBBER | 1 | RUBBER |
| 3 | WASHER 1 | BRASS | 1 | NICKEL |
| 4 | WASHER 2 | BRASS | 1 | NICKEL |
| 5 | WASHER 3 | BRASS | 1 | NICKEL |
| 6 | INSULATION | TEFLON | 1 | TEFLON |
| 7 | BODY 2 | BRASS | 1 | NICKEL |
| 8 | PIN | BRASS | 1 | GOLD |
| 9 | RING | BRASS | 1 | NICKEL |